



SERİ :BANQUET TROLLEY
TİP :HEATED BANQUET TROLLEY
MODEL :ABA-12 2/1



ABA-12 2/1

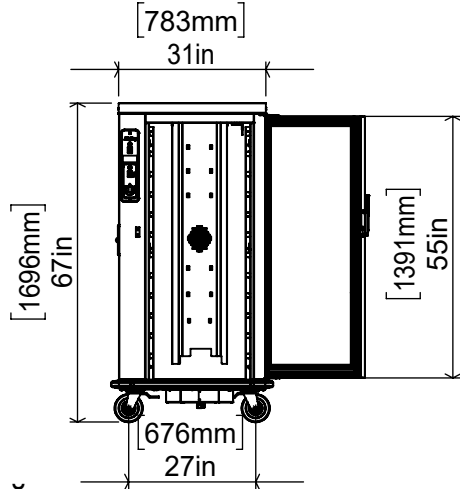
Properties

- * Stainless steel construction is long lasting, easy to clean and hygienic.
- * It has ergonomic design that makes it easy for the user in every way.
- * Device depth is 92 cm.
- * 0-90 °C digital thermostat controlled.
- * It has humidification feature thanks to the heated pool at the base.
- * Corner tire is used against bumps.

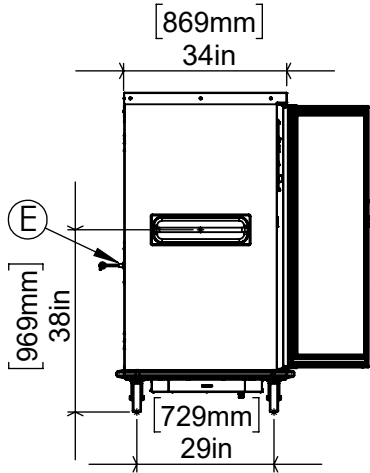
- * Body and door are double walled polyurethane insulation.
- * Shelf ranges can be adjusted.
- * GN 2/1 100 x 12 tub capacity.
- * The water temperature in the water tank is controlled by a separate thermostat.
- * Water discharge valve.
- * The cover, top and side sheets are Aisi 430 stainless steel. The base and pool are Aisi 304 stainless steel.

HEATED BANQUET TROLLEY

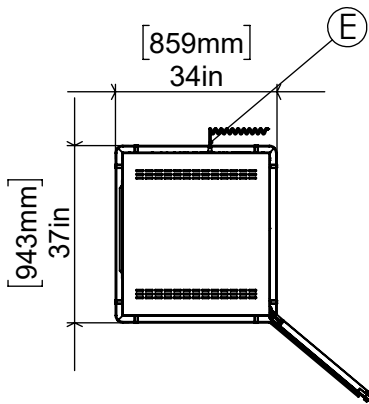
ÖN / FRONT



SAĞ / RIGHT



ÜST / TOP



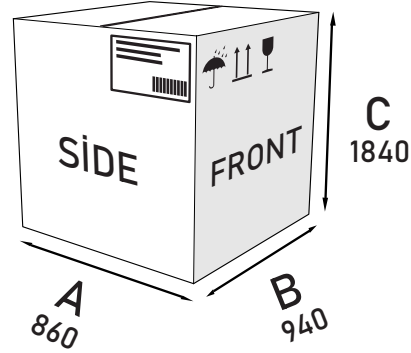
GENERAL INFORMATION

Model	ABA-12 2/1
Dimensions (mm)	840x920x1700
Net Weight (kg)	153
Capacity	GN 2/1 100 x 12

PACKAGE INFORMATION

Package Information	A: 860 mm
	B: 940 mm
	C: 1840 mm
Package Weight(kg):	160
Volume(m³)	1,49 m³

TOP



ELEKTRİK BİLGİLERİ

Voltage	230 v
Electric power	2,35 Kw
Amper	10 A
Cable Section	3x2, 5
Frequency	50-60 hz
Protection Class	IPX4
Min /max internal humidity	70%/85%
Cable entry	PG11
Kontrol tipi	Manual

HEATED BANQUET TROLLEY